



ATEX / IECEx certified for **Zone 2 / 22**

**Universal** UniCase certified enclosure

**Samsung Galaxy Tab A11+**, 11-inch platform

Storage options: **128 GB / 256 GB / 512 GB**

**Full access** to buttons, cameras, audio and USB-C

**Impact-resistant** enclosure and screen

Modular inlay system, **upgrade-ready**



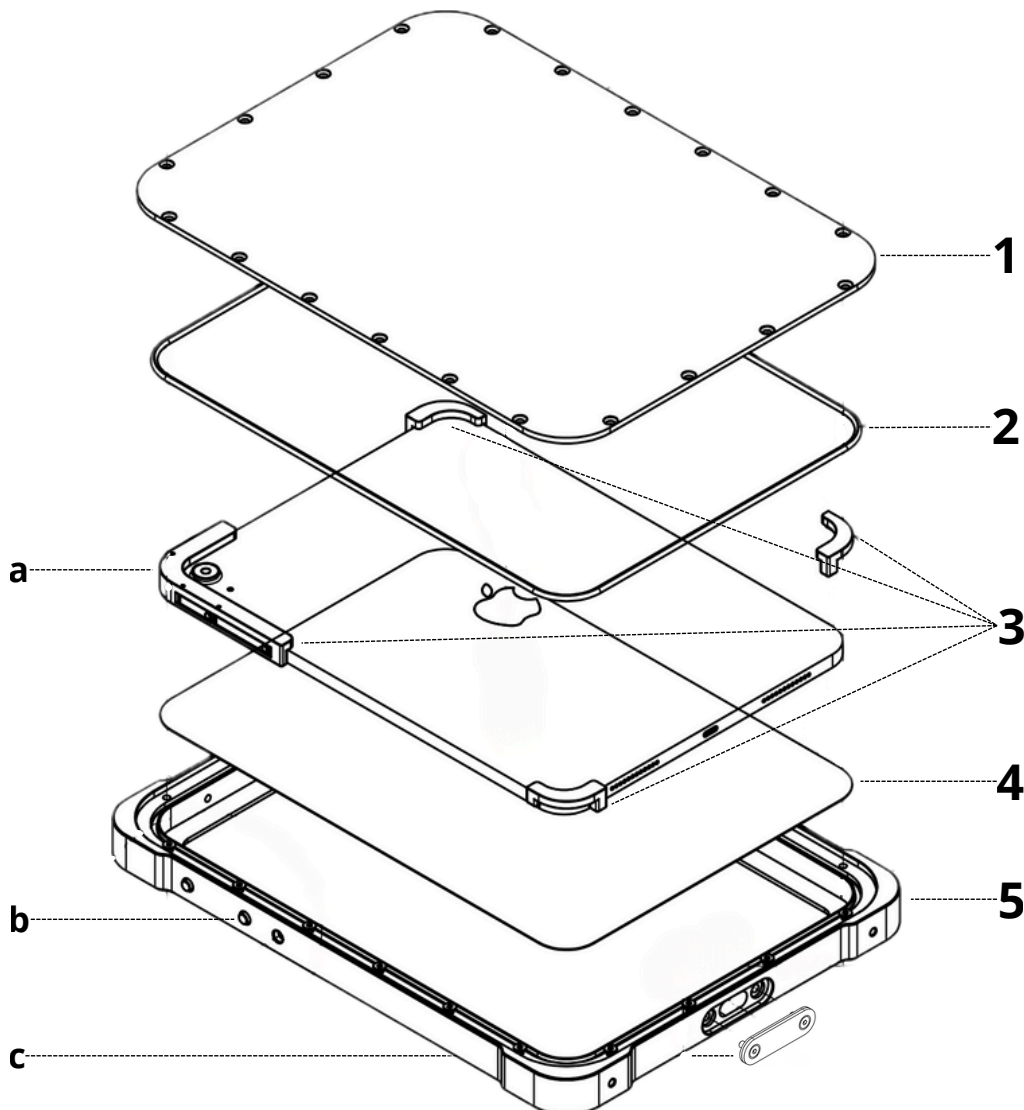
## Galaxy Tab A11+

The Ex UniCase Galaxy Tab A11+ is a certified tablet solution designed for use in ATEX and IECEx Zone 2 and Zone 22 hazardous environments. It integrates the Galaxy Tab A11+ platform into a durable, explosion-protected UniCase enclosure suitable for industrial applications.

The UniCase housing provides reliable mechanical protection while preserving full device functionality. Buttons, cameras, audio components, and the USB-C port remain fully usable, ensuring uninterrupted operation in the field. The system complies with Directive 2014/34/EU and applicable ATEX and IECEx standards. Thanks to the modular UniCase concept, the tablet can be replaced or upgraded without changing the certified enclosure, supporting long-term deployment and flexibility.

Explosion Safety Specifications – ATEX and IECEx	
<b>ATEX Zones</b>	Zone 2 (Gas) and Zone 22 (Dust)
<b>EU Directive</b>	2014/34/EU (ATEX 114)
<b>ATEX Marking – Gas</b>	Revealed soon
<b>ATEX Marking – Dust</b>	Revealed soon
<b>IECEx Certificate</b>	Revealed soon
<b>IECEx Marking – Gas</b>	Revealed soon
<b>IECEx Marking – Dust</b>	Revealed soon
<b>Applied ATEX Standards</b>	Revealed soon





- (1)** Transparent Plexiglas back cover providing external protection.
  - (2)** 3 mm silicone rubber O-ring ensuring sealing between back cover and enclosure.
  - (3)** Device specific, modular ABS corner inlays for tablet positioning.
  - (4)** Impact-resistant polycarbonate display window protecting the touchscreen.
  - (5)** Main UniCase enclosure manufactured from ESD-safe POM-C.
- 
- (a)** Button interface corner inlay enabling mechanical operation of the tablet buttons.
  - (b)** Physical tablet buttons, fully operable through the UniCase interface.
  - (c)** USB-C port sealing cover protecting the charging port during operation.