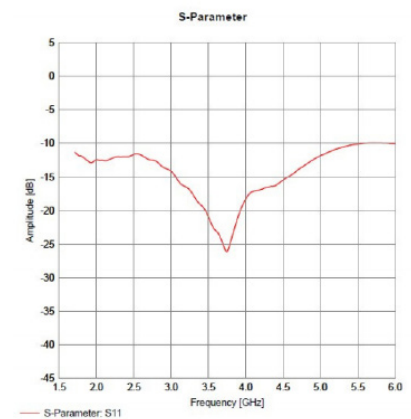
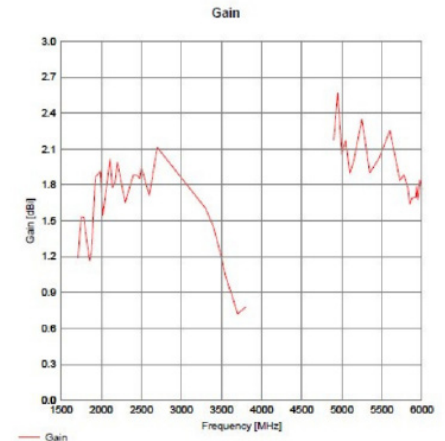


TECHNICAL DATASHEET



iANT 212



Omnidirectional simple apparatus Wi-Fi antenna.

Safe to use in hazardous areas when connected to an intrinsically safe RF output, such as the iWAP series or other solutions using the iSOLATE501

Optimised for use in 2.4/5.8GHz WLAN installations or wireless mesh Ethernet networks

Ideal for applications where space is at a premium or antennas are highly exposed due to compact design

Assessed by Extronics engineers as simple apparatus

Ultra-compact design saves space

Rugged with wide temperature range - use indoors or outdoors

Omnidirectional coverage with up to 2.5 dBi gain and excellent 360° coverage

Direct or remote mount options to suit your application

Easy to install, no specialist tools needed

www.extronics.com | info@extronics.com | +44 (0) 845 277 5000

403439(6)

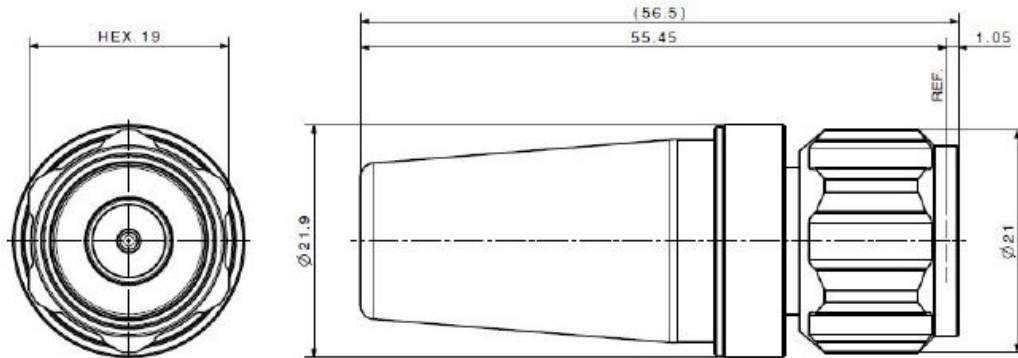
Disclaimer: Copyright (c) Extronics Ltd. The information contained in this document is subject to change without notice. Extronics cannot be held responsible for any errors or inaccuracies within this document.

Extronics Released

SPECIFICATION



Frequency band and gain	1.7 - 2.0 GHz 2.0 - 2.7 GHz 2.7 - 3.8 GHz 4.9 - 5.15 GHz 5.15 - 6.0 GHz 6.0 - 7.12 GHz	1.5 dBi 2.0 dBi 1.5 dBi 2.5 dBi 2.0 dBi 3.0 dBi
VSWR	2	
Polarisation	Spherical	
Horizontal plane beam width	360°	
Vertical plane beam width	360°	
Impedance	50 Ohms	
Radome material	ASA plastic	
Ingress protection	IP68	
Temperature range	-40°C to +85°C (operating and storage)	
Humidity	95%	
Dimensions	H55 mm x D22 mm	
Weight	50g	
RF connections	N-type	



ORDERING INFORMATION

IANT212

iANT212 2.4-5.8GHz spherical pattern WLAN rugged antenna

www.extronics.com | info@extronics.com | +44 (0) 845 277 5000

403439(6)

Disclaimer: Copyright (c) Extronics Ltd. The information contained in this document is subject to change without notice. Extronics cannot be held responsible for any errors or inaccuracies within this document.

Extronics Released