

Applications



in ship yards



in chemical industry



on oil rigs



For machine builder

- Short delivery time
- High-quality service

Description

The Exepd Junction boxes made of polyester are particularly suitable for application in rough ambient conditions. Their high degree of protection, selected materials with high temperature-resistance and high-quality manufacturing are a guarantee for satisfied customers.

In our workshop we complete the boxes individually in accordance to customers request.

Complying with the latest versions of standards the Exepd Junction Boxes are approved for application in potentially explosive areas classified as Zone 1 and Zone 21.

The polyester Junction boxes can be used as well with increased safety as for intrinsic safety signals.

Due to best possible availability in stock, reliable sub-contractors, experienced engineers and fast order-processing procedures, Exepd guarantees short delivery periods for the individual terminal box series.



- Wiring of electrical trace heating units
- Wiring of valves and pumps
- Energy distribution in plants
- As motor connection box
- For intrinsic safe and non intrinsic safe
- As lighting connection box

- Made in Germany
- TÜV-tested quality

Technical Data

Enclosure

Material: Fibre glass reinforced Polyester
 RoHs: Conform
 Colour: Black, RAL 9005
 Dim. (LxWxH): **80x75x56 mm**
 Weight: 230 g (empty)
 Protection: Max. IP 66
 Gasket: Temperature resistant silicone
 Lid screws: Stainless steel
 Storage temperature: -50°C up to +80°C

Junction Box

Type: **A21-E1-00806**
 Type of protection: II 2G Ex e IIC T4/T6 Gb
 II 2(1)G Ex e[ia] IIC T6 Gb
 II 2D Ex tb IIIC T80°C
 Certificate: TPS 07 ATEX 61951 1
 Standard operation temperature: -20°C bis +40°C
 Maximum operation temperature: -50°C bis +60°C
 Depending on the used components and power loss.

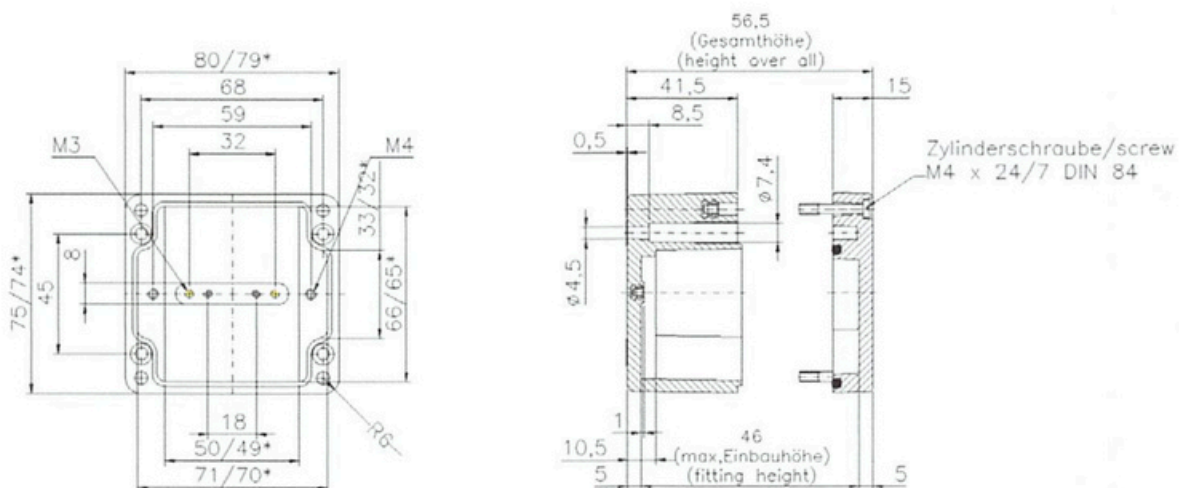
Maximum number of threaded holes

	M16x1,5	M20x1,5	M25x1,5	M32x1,5	M40x1,5	M50x1,5	M63x1,5
face A/B	2	2	1	0	0	0	0
face C/D	1	1	0	0	0	0	0

Maximum number of terminals

Cross section	2,5 mm ²	4 mm ²	6 mm ²	10 mm ²	16 mm ²	35 mm ²
Quantity	7	0	0	0	0	0

Dimension drawing



* = Mass durch Formkonizität nach unten verringert.
 Conical shape tapering downwards.
 Freimass-Toleranz nach DIN 16901-130
 Open tolerances acc.to DIN 16901-130

Technical Data

Enclosure

Material: Fibre glass reinforced Polyester
 RoHs: Conform
 Colour: Black, RAL 9005
 Dim. (LxWxH): **110x75x56 mm**
 Weight: 295 g (empty)
 Protection: Max. IP 66
 Gasket: Temperature resistant silicone
 Lid screws: Stainless steel
 Storage temperature: -50°C up to +80°C

Junction Box

Type: **A21-E1-01106**
 Type of protection: II 2G Ex e IIC T4/T6 Gb
 II 2(1)G Ex e[ia] IIC T6 Gb
 II 2D Ex tb IIIC T80°C
 Certificate: TPS 07 ATEX 61951 1
 Standard operation temperature: -20°C bis +40°C
 Maximum operation temperature: -50°C bis +60°C
 Depending on the used components and power loss.

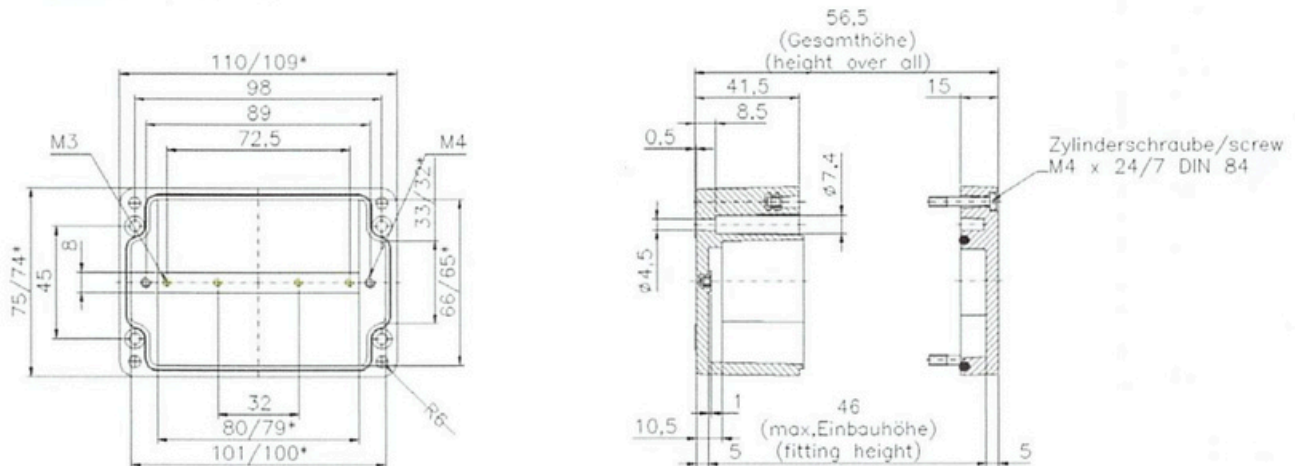
Maximum number of threaded holes

	M16x1,5	M20x1,5	M25x1,5	M32x1,5	M40x1,5	M50x1,5	M63x1,5
face A/B	3	3	2	0	0	0	0
face C/D	1	1	0	0	0	0	0

Maximum number of terminals

Cross section	2,5 mm ²	4 mm ²	6 mm ²	10 mm ²	16 mm ²	35 mm ²
Quantity	13	0	0	0	0	0

Dimension drawing



* = Mass durch Formkonizität nach unten verringert.
 Conical shape tapering downwards.
 Freimass-Toleranz nach DIN 16901-130
 Open tolerances acc.to DIN 16901-130

Technical Data

Enclosure

Material: Fibre glass reinforced Polyester
 RoHs: Conform
 Colour: Black, RAL 9005
 Dim. (LxWxH): **160x75x56 mm**
 Weight: 405 g (empty)
 Protection: Max IP 66
 Gasket: Temperature resistant silicone
 Lid screws: Stainless steel
 Storage temperature: -50°C up to +80°C

Junction Box

Type: **A21-E1-01606**
 Type of protection: II 2G Ex e IIC T4/T6 Gb
 II 2(1)G Ex e[ia] IIC T6 Gb
 II 2D Ex tb IIIC T80°C
 Certificate: TPS 07 ATEX 61951 1
 Standard operation temperature: -20°C bis +40°C
 Maximum operation temperature: -50°C bis +60°C
 Depending on the used components and power loss.

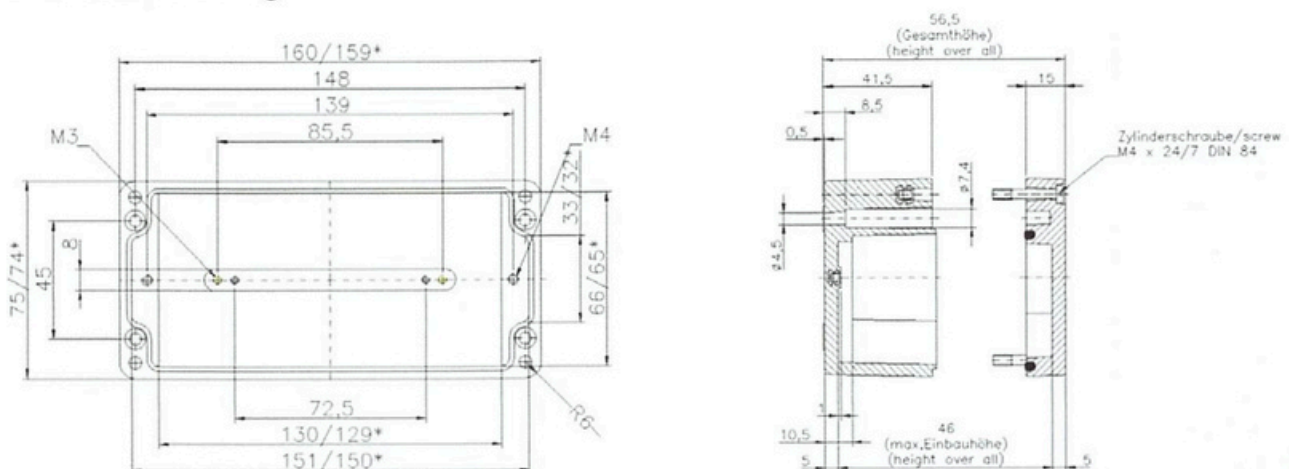
Maximum number of threaded holes

	M16x1,5	M20x1,5	M25x1,5	M32x1,5	M40x1,5	M50x1,5	M63x1,5
face A/B	4	5	3	0	0	0	0
face C/D	1	1	0	0	0	0	0

Maximum number of terminals

Cross section	2,5 mm ²	4 mm ²	6 mm ²	10 mm ²	16 mm ²	35 mm ²
Quantity	22	0	0	0	0	0

Dimension drawing



* = Mass durch Formkonizität nach unten verringert.
 Conical shape tapering downwards.
 Freimass-Toleranz nach DIN 16901-130
 Open tolerances acc.to DIN 16901-130

Technical Data

Enclosure

Material: Fibre glass reinforced Polyester
 RoHs: Conform
 Colour: Black, RAL 9005
 Dim. (LxWxH): **190x75x56 mm**
 Weight: 520 g (empty)
 Protection: Max. IP 66
 Gasket: Temperature resistant silicone
 Lid screws: Stainless steel
 Storage temperature: -50°C up to +80°C

Junction Box

Type: **A21-E1-01906**
 Type of protection: II 2G Ex e IIC T4/T6 Gb
 II 2(1)G Ex e[ia] IIC T6 Gb
 II 2D Ex tb IIC T80°C
 Certificate: TPS 07 ATEX 61951 1
 Standard operation temperature: -20°C bis +40°C
 Maximum operation temperature: -50°C bis +60°C
 Depending on the used components and power loss.

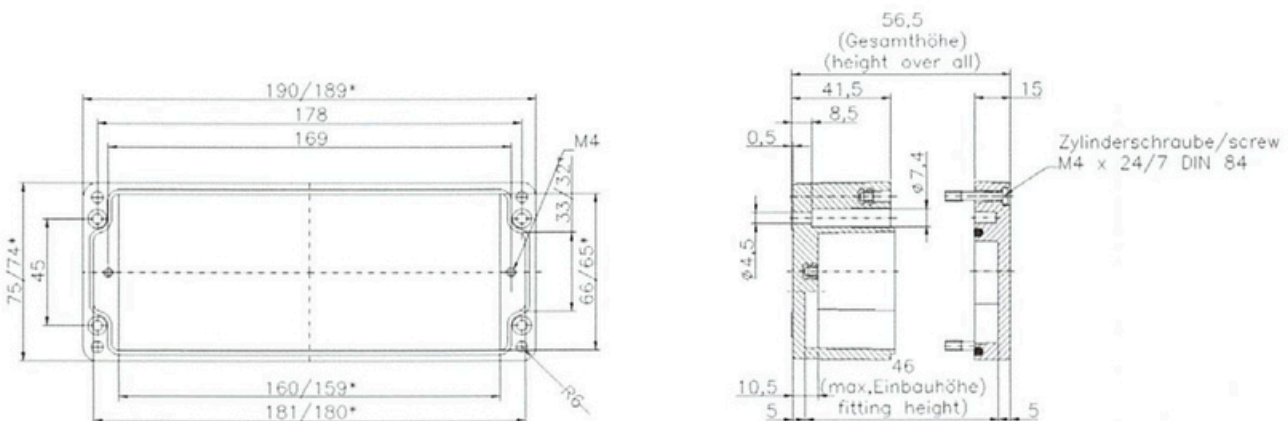
Maximum number of threaded holes

	M16x1,5	M20x1,5	M25x1,5	M32x1,5	M40x1,5	M50x1,5	M63x1,5
face A/B	6	5	4	0	0	0	0
face C/D	1	1	0	0	0	0	0

Maximum number of terminals

Cross section	2,5 mm ²	4 mm ²	6 mm ²	10 mm ²	16 mm ²	35 mm ²
Quantity	26	0	0	0	0	0

Dimension drawing



* = Mass durch Formkonizität nach unten verringert.
 Conical shape tapering downwards.
 Freimaß-Toleranz nach DIN 16901-130
 Open tolerances acc.to DIN 16901-130

Technical Data

Enclosure

Material: Fibre glass reinforced Polyester
 RoHs: Conform
 Colour: Black, RAL 9005
 Dim. (LxWxH): **122x120x91 mm**
 Weight: 750 g (empty)
 Protection: Max. IP 66
 Gasket: Temperature resistant silicone
 Lid screws: Stainless steel
 Storage temperature: -50°C up to +80°C

Junction Box

Type: **A21-E1-01209**
 Type of protection: II 2G Ex e IIC T4/T6 Gb
 II 2(1)G Ex e[ia] IIC T6 Gb
 II 2D Ex tb IIC T80°C
 Certificate: TPS 07 ATEX 61951 1
 Standard operation temperature: -20°C bis +40°C
 Maximum operation temperature: -50°C bis +60°C
 Depending on the used components and power loss.

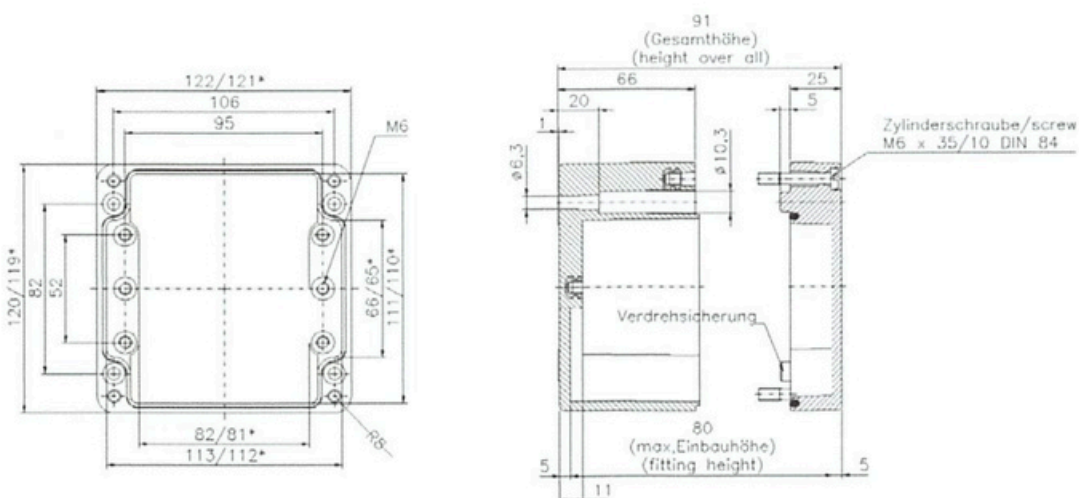
Maximum number of threaded holes

	M16x1,5	M20x1,5	M25x1,5	M32x1,5	M40x1,5	M50x1,5	M63x1,5
face A/B	6	4	3	2	1	0	0
face C/D	3	2	2	1	0	0	0

Maximum number of terminals

Cross section	2,5 mm ²	4 mm ²	6 mm ²	10 mm ²	16 mm ²	35 mm ²
Quantity	16	13	10	6	0	0

Dimension drawing



* = Mass durch Formkonizität nach unten verringert.
 Conical shape tapering downwards.
 Freimaß-Toleranz nach DIN 16901-130
 Open tolerances acc.to DIN 16901-130

Technical Data

Enclosure

Material: Fibre glass reinforced Polyester
 RoHs: Conform
 Colour: Black, RAL 9005
 Dim. (LxWxH): **220x120x91 mm**
 Weight: 1060 g (empty)
 Protection: Max. IP 66
 Gasket: Temperature resistant silicone
 Lid screws: Stainless steel
 Storage temperature: -50°C up to +80°C

Junction Box

Type: **A21-E1-02209**
 Type of protection: II 2G Ex e IIC T4/T6 Gb
 II 2(1)G Ex e[ia] IIC T6 Gb
 II 2D Ex tb IIC T80°C
 Certificate: TPS 07 ATEX 61951 1
 Standard operation temperature: -20°C bis +40°C
 Maximum operation temperature: -50°C bis +60°C
 Depending on the used components and power loss.

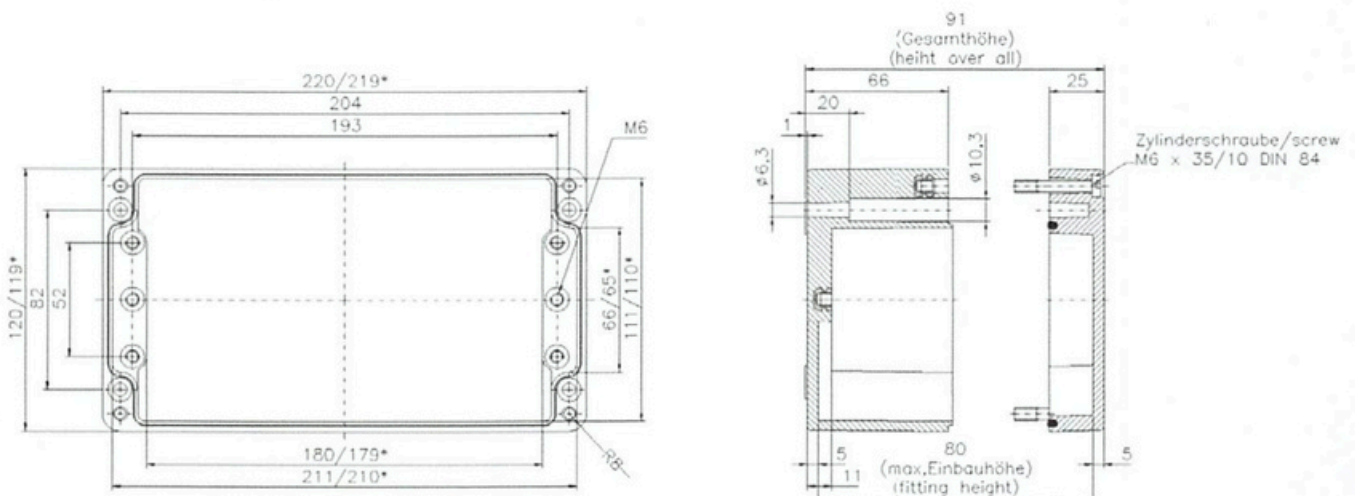
Maximum number of threaded holes

	M16x1,5	M20x1,5	M25x1,5	M32x1,5	M40x1,5	M50x1,5	M63x1,5
face A/B	12	9	6	4	3	0	0
face C/D	3	2	2	1	0	0	0

Maximum number of terminals

Cross section	2,5 mm ²	4 mm ²	6 mm ²	10 mm ²	16 mm ²	35 mm ²
Quantity	35	260	20	17	0	30

Dimension drawing



* = Mass durch Formkonizität nach unten verringert.
 Conical shape tapering downwards.
 Freimass-Toleranz nach DIN 16901-130
 Open tolerances acc.to DIN 16901-130

Technical Data

Enclosure

Material: Fibre glass reinforced Polyester
 RoHs: Conform
 Colour: Black, RAL 9005
 Dim. (LxWxH): **160x160x91 mm**
 Weight: 1130 g (empty)
 Protection: Max. IP 66
 Gasket: Temperature resistant silicone
 Lid screws: Stainless steel
 Storage temperature: -50°C up to +80°C

Junction Box

Type: **A21-E1-01609**
 Type of protection: II 2G Ex e IIC T4/T6 Gb
 II 2(1)G Ex e[ia] IIC T6 Gb
 II 2D Ex tb IIC T80°C
 Certificate: TPS 07 ATEX 61951 1
 Standard operation temperature: -20°C bis +40°C
 Maximum operation temperature: -50°C bis +60°C
 Depending on the used components and power loss.

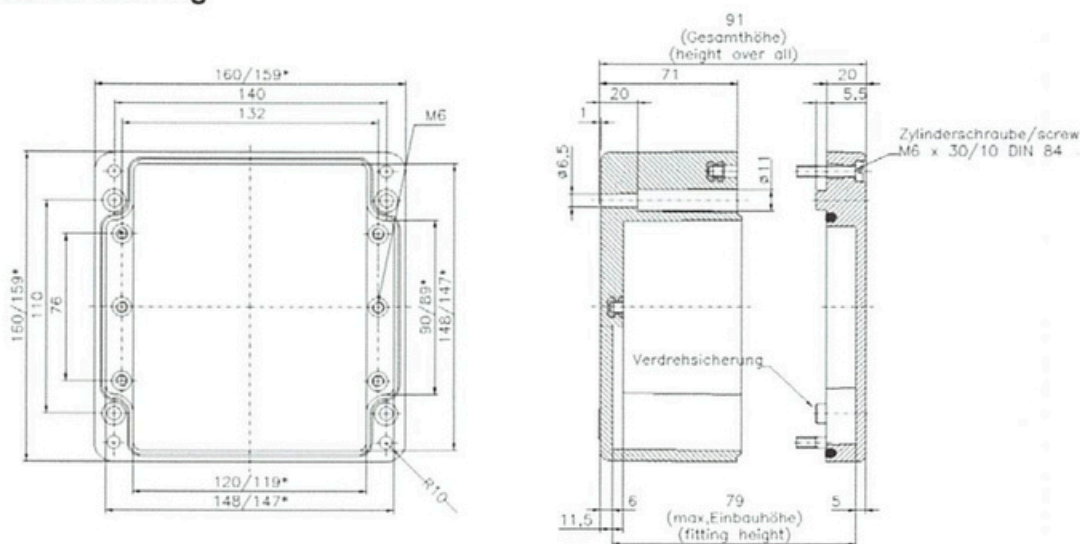
Maximum number of threaded holes

	M16x1,5	M20x1,5	M25x1,5	M32x1,5	M40x1,5	M50x1,5	M63x1,5
face A/B	8	6	4	2	2	1	0
face C/D	4	3	2	2	1	0	0

Maximum number of terminals

Cross section	2,5 mm ²	4 mm ²	6 mm ²	10 mm ²	16 mm ²	35 mm ²
Quantity	22	18	13	11	9	0

Dimension drawing



* = Mass durch Formkonizität nach unten verringert.
 Conical shape tapering downwards.
 Freimass-Toleranz nach DIN 16901-130
 Open tolerances acc.to DIN 16901-130

Technical Data

Enclosure

Material: Fibre glass reinforced Polyester
 RoHs: Conform
 Colour: Black, RAL 9005
 Dim. (LxWxH): **260x160x91 mm**
 Weight: 1710 g (empty)
 Protection: Max. IP 65
 Gasket: Temperature resistant silicone
 Lid screws: Stainless steel
 Storage temperature: -50°C up to +80°C

Junction Box

Type: **A21-E1-02609**
 Type of protection: II 2G Ex e IIC T4/T6 Gb
 II 2(1)G Ex e[ia] IIC T6 Gb
 II 2D Ex tb IIIC T80°C
 Certificate: TPS 07 ATEX 61951 1
 Standard operation temperature: -20°C bis +40°C
 Maximum operation temperature: -50°C bis +60°C
 Depending on the used components and power loss.

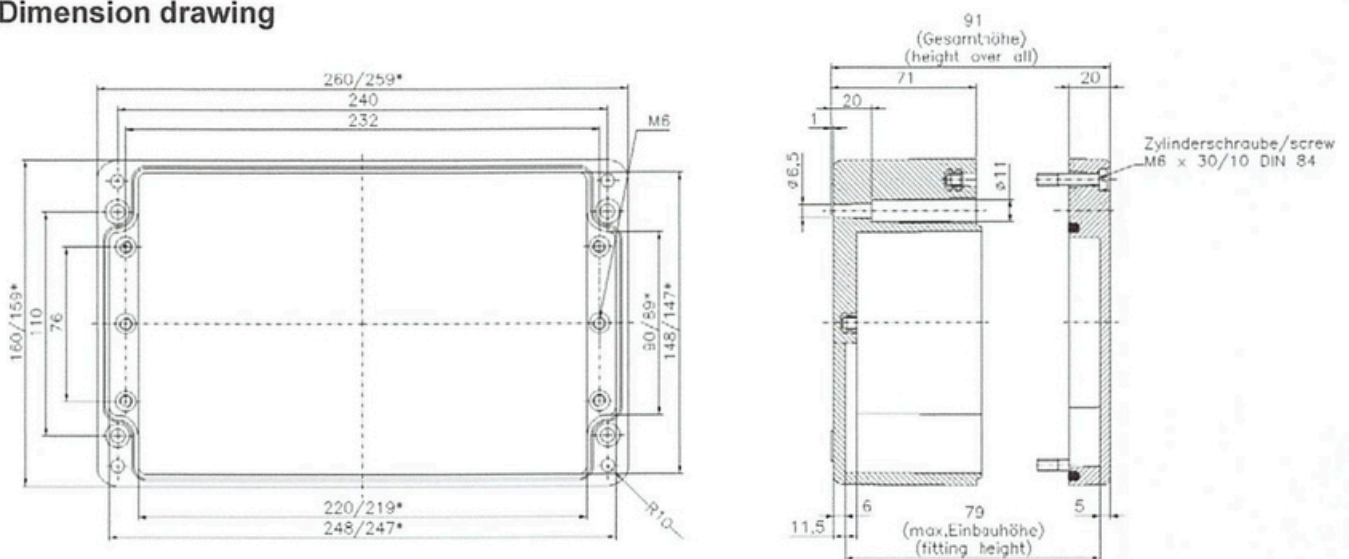
Maximum number of threaded holes

	M16x1,5	M20x1,5	M25x1,5	M32x1,5	M40x1,5	M50x1,5	M63x1,5
face A/B	15	12	8	4	3	3	0
face C/D	4	3	2	2	1	0	0

Maximum number of terminals

Cross section	2,5 mm ²	4 mm ²	6 mm ²	10 mm ²	16 mm ²	35 mm ²
Quantity	42	35	26	21	17	0

Dimension drawing



* = Mass durch Formkonizität nach unten verringert.
 Conical shape tapering downwards.
 Freimass-Toleranz nach DIN 16901-130
 Open tolerances acc.to DIN 16901-130

Technical Data

Enclosure

Material: Fibre glass reinforced Polyester
 RoHs: Conform
 Colour: Black, RAL 9005
 Dim. (LxWxH): **360x160x91 mm**
 Weight: 2150 g (empty)
 Protection: Max. IP 66
 Gasket: Temperature resistant silicone
 Lid screws: Stainless steel
 Storage temperature: -50°C up to +80°C

Junction Box

Type: **A21-E1-03609**
 Type of protection: II 2G Ex e IIC T4/T6 Gb
 II 2(1)G Ex e[ia] IIC T6 Gb
 II 2D Ex tb IIC T80°C
 Certificate: TPS 07 ATEX 61951 1
 Standard operation temperature: -20°C bis +40°C
 Maximum operation temperature: -50°C bis +60°C
 Depending on the used components and power loss.

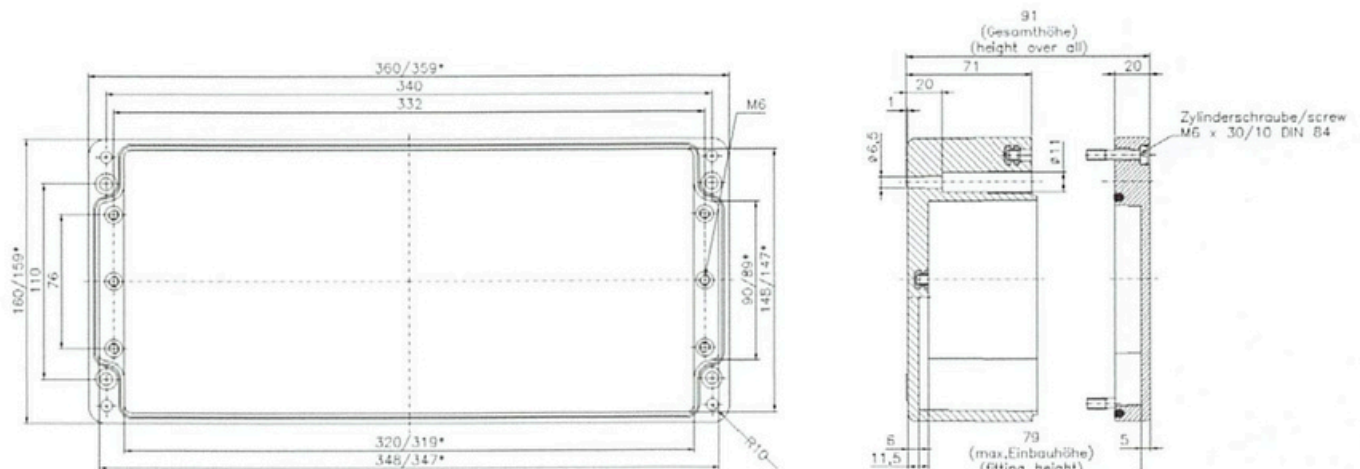
Maximum number of threaded holes

	M16x1,5	M20x1,5	M25x1,5	M32x1,5	M40x1,5	M50x1,5	M63x1,5
face A/B	23	18	11	7	5	4	0
face C/D	4	3	2	2	1	0	0

Maximum number of terminals

Cross section	2,5 mm ²	4 mm ²	6 mm ²	10 mm ²	16 mm ²	35 mm ²
Quantity	62	51	38	31	25	0

Dimension drawing



* = Mass durch Formkonizität nach unten verringert.
 Conical shape tapering downwards.
 Freimass-Toleranz nach DIN 16901-130
 Open tolerances acc.to DIN 16901-130

Technical Data

Enclosure

Material: Fibre glass reinforced Polyester
 RoHs: Conform
 Colour: Black, RAL 9005
 Dim. (LxWxH): **255x250x121 mm**
 Weight: 2650 g (empty)
 Protection: Max. IP 66
 Gasket: Temperature resistant silicone
 Lid screws: Stainless steel
 Storage temperature: -50°C up to +80°C

Junction Box

Type: **A21-E1-02612**
 Type of protection: II 2G Ex e IIC T4/T6 Gb
 II 2(1)G Ex e[ia] IIC T6 Gb
 II 2D Ex tb IIC T80°C
 Certificate: TPS 07 ATEX 61951 1
 Standard operation temperature: -20°C bis +40°C
 Maximum operation temperature: -50°C bis +60°C
 Depending on the used components and power loss.

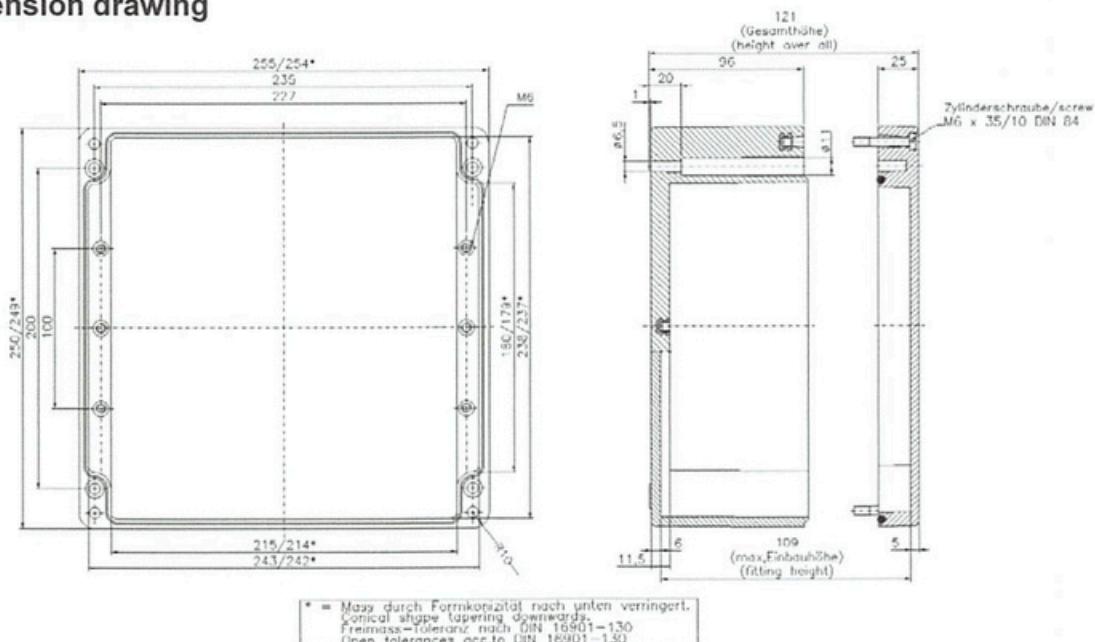
Maximum number of threaded holes

	M16x1,5	M20x1,5	M25x1,5	M32x1,5	M40x1,5	M50x1,5	M63x1,5
face A/B	23	17	11	7	4	3	3
face C/D	14	10	8	4	3	2	2

Maximum number of terminals

Cross section	2,5 mm ²	4 mm ²	6 mm ²	10 mm ²	16 mm ²	35 mm ²
Quantity	80	66	25	20	16	12

Dimension drawing



Technical Data

Enclosure

Material: Fibre glass reinforced Polyester
 RoHs: Conform
 Colour: Black, RAL 9005
 Dim. (LxWxH): **400x250x121 mm**
 Weight: 3650 g (empty)
 Protection: Max. IP 66
 Gasket: Temperature resistant silicone
 Lid screws: Stainless steel
 Storage temperature: -50°C up to +80°C

Junction Box

Type: **A21-E1-04012**
 Type of protection: II 2G Ex e IIC T4/T6 Gb
 II 2(1)G Ex e[ia] IIC T6 Gb
 II 2D Ex tb IIIC T80°C
 Certificate: TPS 07 ATEX 61951 1
 Standard operation temperature: -20°C bis +40°C
 Maximum operation temperature: -50°C bis +60°C
 Depending on the used components and power loss.

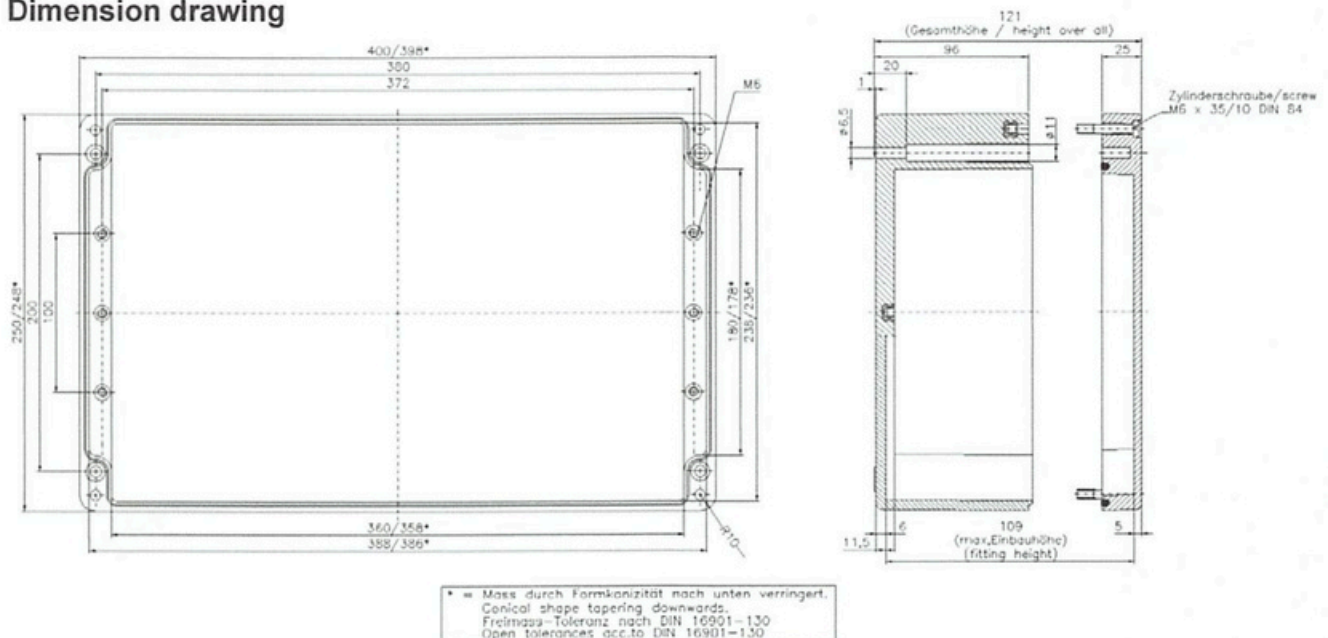
Maximum number of threaded holes

	M16x1,5	M20x1,5	M25x1,5	M32x1,5	M40x1,5	M50x1,5	M63x1,5
face A/B	38	27	17	13	6	5	4
face C/D	14	10	8	4	3	2	2

Maximum number of terminals

Cross section	2,5 mm ²	4 mm ²	6 mm ²	10 mm ²	16 mm ²	35 mm ²
Quantity	140	116	43	35	29	21

Dimension drawing



Technical Data

Enclosure

Material: Fibre glass reinforced Polyester
 RoHs: Conform
 Colour: Black, RAL 9005
 Dim. (LxWxH): **600x250x121 mm**
 Weight: 5380 g (empty)
 Protection: Max. IP 66
 Gasket: Temperature resistant silicone
 Lid screws: Stainless steel
 Storage temperature: -50°C up to +80°C

Junction Box

Type: **A21-E1-06012**
 Type of protection: II 2G Ex e IIC T4/T6 Gb
 II 2(1)G Ex e[ia] IIC T6 Gb
 II 2D Ex tb IIC T80°C
 Certificate: TPS 07 ATEX 61951 1
 Standard operation temperature: -20°C bis +40°C
 Maximum operation temperature: -50°C bis +60°C
 Depending on the used components and power loss.

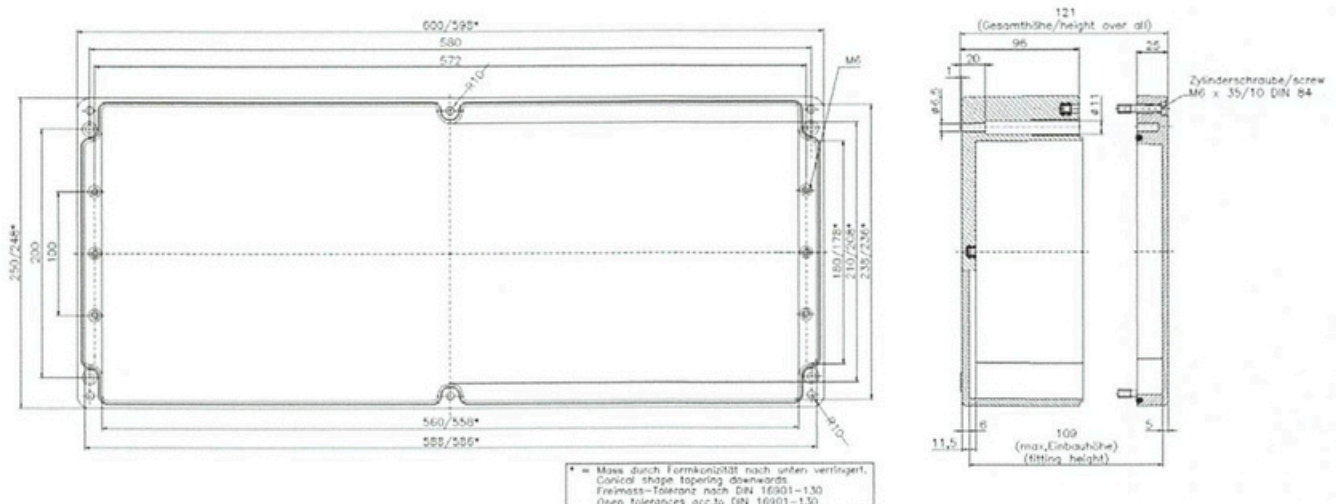
Maximum number of threaded holes

	M16x1,5	M20x1,5	M25x1,5	M32x1,5	M40x1,5	M50x1,5	M63x1,5
face A/B	84	52	24	18	10	6	4
face C/D	14	10	8	4	3	2	2

Maximum number of terminals

Cross section	2,5 mm ²	4 mm ²	6 mm ²	10 mm ²	16 mm ²	35 mm ²
Quantity	220	184	68	55	45	34

Dimension drawing



Technical Data

Enclosure

Material: Fibre glass reinforced Polyester
 RoHs: Conform
 Colour: Black, RAL 9005
 Dim. (LxWxH): **400x405x121 mm**
 Weight: 5580 g (empty)
 Protection: Max. IP 66
 Gasket: Temperature resistant silicone
 Lid screws: Stainless steel
 Storage temperature: -50°C up to +80°C

Junction Box

Type: **A21-E1-04112**
 Type of protection: II 2G Ex e IIC T4/T6 Gb
 II 2(1)G Ex e[ia] IIC T6 Gb
 II 2D Ex tb IIC T80°C
 Certificate: TPS 07 ATEX 61951 1
 Standard operation temperature: -20°C bis +40°C
 Maximum operation temperature: -50°C bis +60°C
 Depending on the used components and power loss.

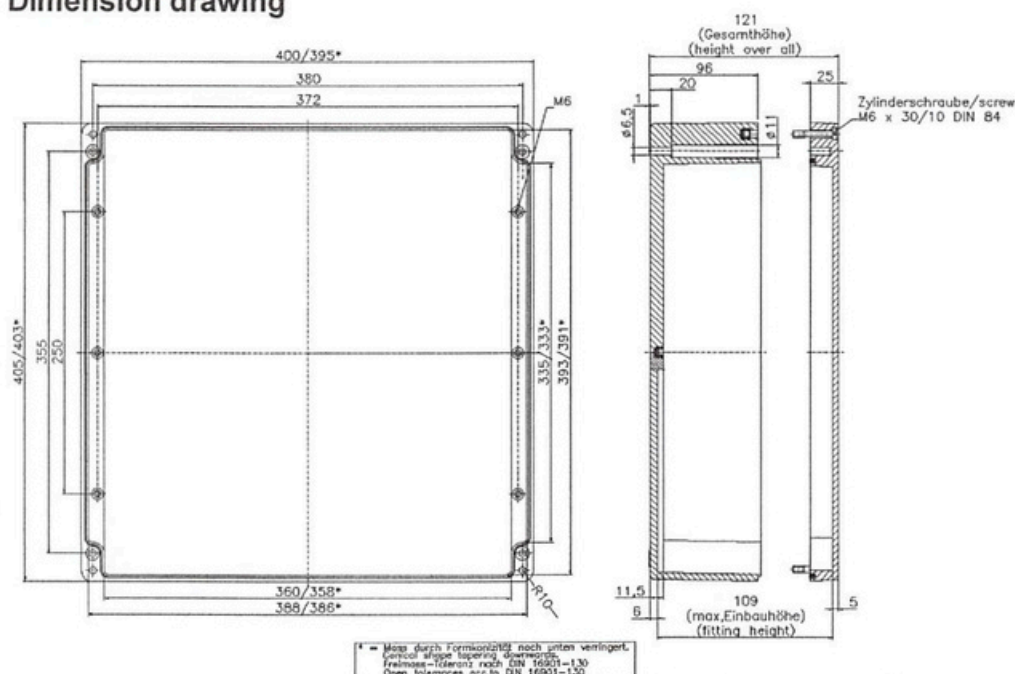
Maximum number of threaded holes

	M16x1,5	M20x1,5	M25x1,5	M32x1,5	M40x1,5	M50x1,5	M63x1,5
face A/B	38	27	17	13	6	5	4
face C/D	29	20	15	7	5	4	4

Maximum number of terminals

Cross section	2,5 mm ²	4 mm ²	6 mm ²	10 mm ²	16 mm ²	35 mm ²
Quantity	210	174	86	35	29	21

Dimension drawing



Technical Data

Enclosure

Material: Fibre glass reinforced Polyester
 RoHs: Conform
 Colour: Black, RAL 9005
 Dim. (LxWxH): **400x405x201 mm**
 Weight: 7425 g (empty)
 Protection: Max. IP 66
 Gasket: Temperature resistant silicone
 Lid screws: Stainless steel
 Storage temperature: -50°C up to +80°C

Junction Box

Type: **A21-E1-04120**
 Type of protection: II 2G Ex e IIC T4/T6 Gb
 II 2(1)G Ex e[ia] IIC T6 Gb
 II 2D Ex tb IIC T80°C
 Certificate: TPS 07 ATEX 61951 1
 Standard operation temperature: -20°C bis +40°C
 Maximum operation temperature: -50°C bis +60°C
 Depending on the used components and power loss.

Maximum number of threaded holes

	M16x1,5	M20x1,5	M25x1,5	M32x1,5	M40x1,5	M50x1,5	M63x1,5
face A/B	60	40	25	20	10	8	6
face C/D	45	30	23	11	8	7	5

Maximum number of terminals

Cross section	2,5 mm ²	4 mm ²	6 mm ²	10 mm ²	16 mm ²	35 mm ²
Quantity	210	174	86	35	29	21

Dimension drawing

