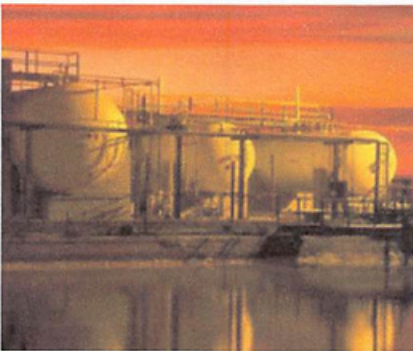


Applications



for chemical



and petrochemical industry



for machines



in power plants

Description

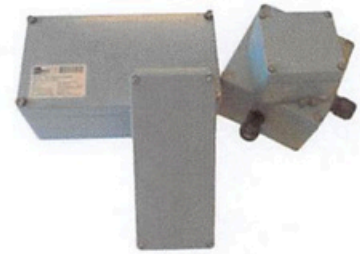
Aluminium junction boxes are especially made for the use in harsh environmental conditions.

Their high IP rating, temperature resistant materials and high quality in engineering, production and assembling guarantees satisfied customers.

Being certified according to the latest standards EN 60079-.. the junction boxes can be used in hazardous area zone 1 and zone 21.

The aluminium junction boxes can be used for increased safe circuits "Ex e" as well as for intrinsically safe circuits "Ex i".

While keeping stock materials for the boxes, having well selected sub suppliers, skilled engineers and an internal process, that is made for customized special solutions, we can guarantee short delivery times on a fair price base for the aluminium junction boxes.



- For electrical heat trace
- For pumps and valves
- For energy distribution
- For motor connection
- For intrinsically and non intrinsically safe circuits
- For light fittings
- For sensor connection

- Short delivery times
- Qualified service

- Made in Germany
- TÜV approved quality

Technical Data

Enclosure

Material: Aluminium
Powder coated
RoHs: Conform
Colour: Silver grey,
RAL 7001
Dim. (LxWxH): **75x80x57 mm**
Weight: 280 g (empty)
Protection: Max. IP 66
Gasket: Temperature
resistant silicone
Lid screws: Stainless steel
External earth: Stainless steel
Storage
temperature: -50°C up to +80°C

Junction Box

Type: A21-E2-00806
Type of protection: II 2G Ex e IIC T4/T6 Gb
II 2(1)G Ex e[ia] IIC T6
Gb
II 2D Ex tb IIIC T80°C
Certificate: TPS 07 ATEX 61951 1
Standard operation
temperature: -20°C bis +40°C
Maximum operation
temperature: -50°C bis +60°C
Depending on the used components and
power loss.

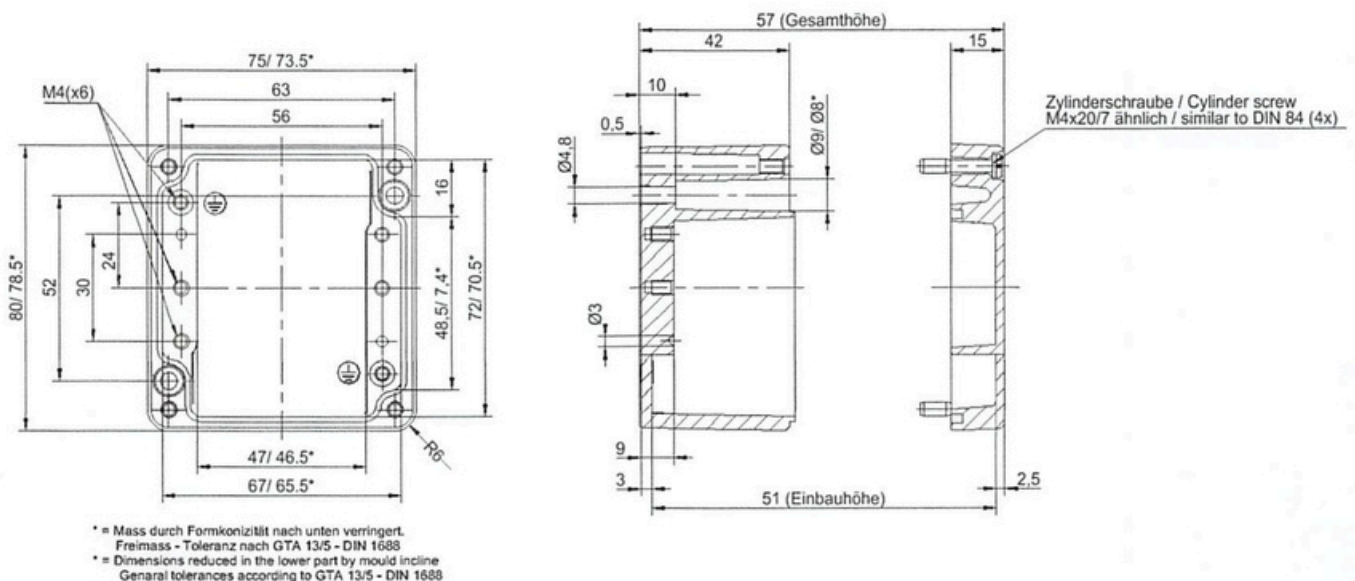
Maximum number of threaded holes

	M16x1,5	M20x1,5	M25x1,5	M32x1,5	M40x1,5	M50x1,5	M63x1,5
face A/B	2	1	1	0	0	0	0
face C/D	2	1	0	0	0	0	0

Maximum number of terminals

Cross section	2,5 mm ²	4 mm ²	6 mm ²	10 mm ²	16 mm ²	35 mm ²
Quantity	8	0	0	0	0	0

Dimension drawing



Technical Data

Enclosure

Material: Aluminium
Powder coated

RoHs: Conform

Colour: Silver grey,
RAL 7001

Dim. (LxWxH): **125x80x57 mm**

Weight: 435 g (empty)

Protection: Max. IP 66

Gasket: Temperature
resistant silicone

Lid screws: Stainless steel

External earth: Stainless steel

Storage
temperature: -50°C up to +80°C

Junction Box

Type: **A21-E2-01306**

Type of protection: II 2G Ex e IIC T4/T6 Gb
II 2(1)G Ex e[ia] IIC T6 Gb
II 2D Ex tb IIIC T80°C

Certificate: TPS 07 ATEX 61951 1

Standard operation
temperature: -20°C bis +40°C

Maximum operation
temperature: -50°C bis +60°C

Depending on the used components and
power loss.

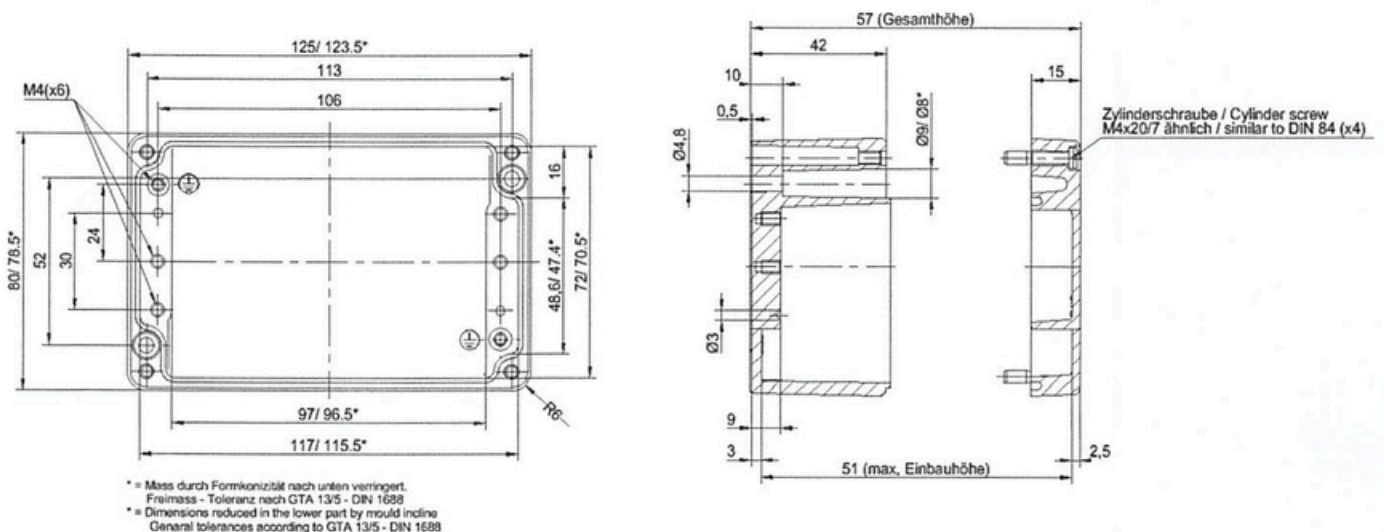
Maximum number of threaded holes

	M16x1,5	M20x1,5	M25x1,5	M32x1,5	M40x1,5	M50x1,5	M63x1,5
face A/B	4	3	2	0	0	0	0
face C/D	2	1	0	0	0	0	0

Maximum number of terminals

Cross section	2,5 mm ²	4 mm ²	6 mm ²	10 mm ²	16 mm ²	35 mm ²
Quantity	17	0	0	0	0	0

Dimension drawing



Technical Data

Enclosure

Material: Aluminium
Powder coated

RoHs: Conform

Colour: Silver grey,
RAL 7001

Dim. (LxWxH): **175x80x57 mm**

Weight: 530 g (empty)

Protection: Max. IP 66

Gasket: Temperature
resistant silicone

Lid screws: Stainless steel

External earth: Stainless steel

Storage
temperature: -50°C up to +80°C

Junction Box

Type: **A21-E2-01806**

Type of protection: II 2G Ex e IIC T4/T6 Gb
II 2(1)G Ex e[ia] IIC T6 Gb
II 2D Ex tb IIIC T80°C

Certificate: TPS 07 ATEX 61951 1

Standard operation
temperature: -20°C bis +40°C

Maximum operation
temperature: -50°C bis +60°C

Depending on the used components and
power loss.

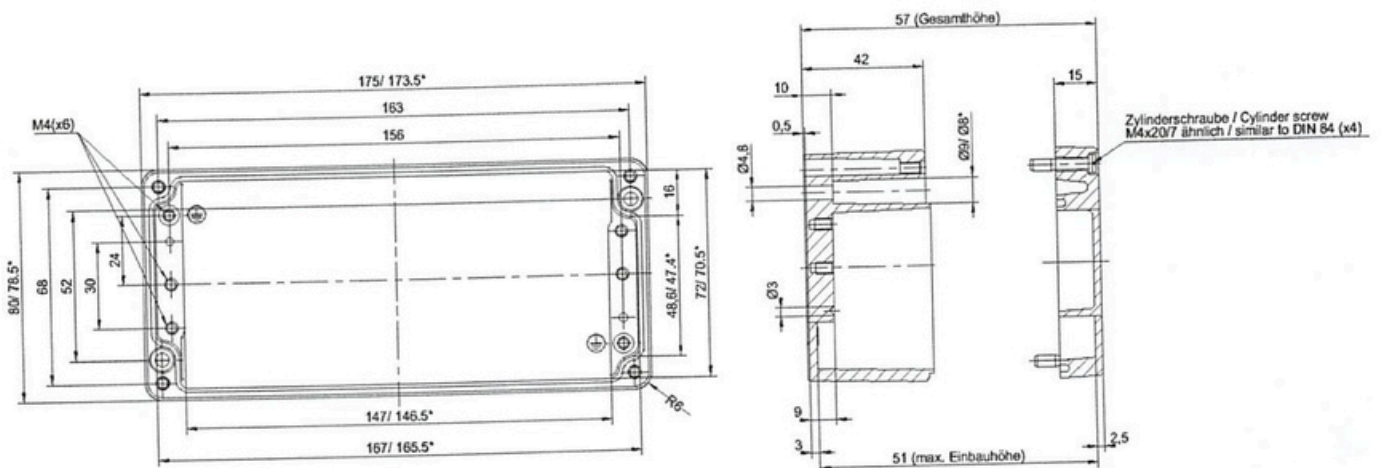
Maximum number of threaded holes

	M16x1,5	M20x1,5	M25x1,5	M32x1,5	M40x1,5	M50x1,5	M63x1,5
face A/B	4	4	4	0	0	0	0
face C/D	2	1	0	0	0	0	0

Maximum number of terminals

Cross section	2,5 mm ²	4 mm ²	6 mm ²	10 mm ²	16 mm ²	35 mm ²
Quantity	27	0	0	0	0	0

Dimension drawing



* = Mass durch Formkonizität nach unten verringert.
Frei mass • Toleranz nach GTA 13/5 - DIN 1688
* = Dimensions reduced in the lower part by mould incline
General tolerances according to GTA 13/5 - DIN 1688

Technical Data

Enclosure

Material: Aluminium
 Powder coated
 RoHs: Conform
 Colour: Silver grey,
 RAL 7001
 Dim. (LxWxH): **122x120x91 mm**
 Weight: 920 g (empty)
 Protection: Max. IP 66
 Gasket: Temperature
 resistant silicone
 Lid screws: Stainless steel
 External earth: Stainless steel
 Storage
 temperature: -50°C up to +80°C

Junction Box

Type: **A21-E2-01209**
 Type of protection: II 2G Ex e IIC T4/T6 Gb
 II 2(1)G Ex e[ia] IIC T6 Gb
 II 2D Ex tb IIIC T80°C
 Certificate: TPS 07 ATEX 61951 1
 Standard operation
 temperature: -20°C bis +40°C
 Maximum operation
 temperature: -50°C bis +60°C
 Depending on the used components and
 power loss.

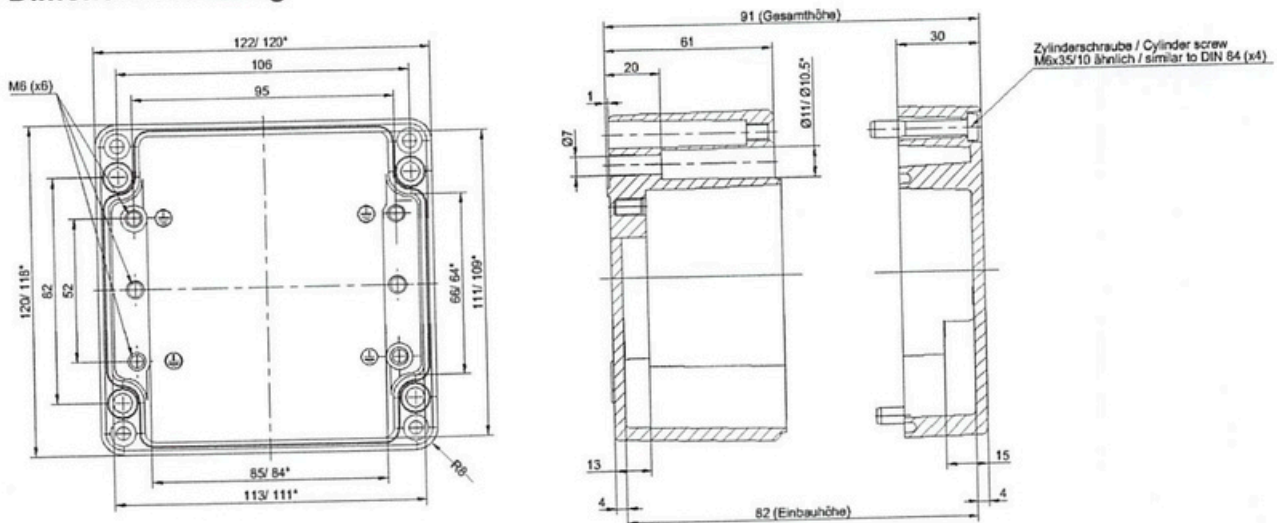
Maximum number of threaded holes

	M16x1,5	M20x1,5	M25x1,5	M32x1,5	M40x1,5	M50x1,5	M63x1,5
face A/B	6	4	2	2	1	0	0
face C/D	2	2	1	0	0	0	0

Maximum number of terminals

Cross section	2,5 mm ²	4 mm ²	6 mm ²	10 mm ²	16 mm ²	35 mm ²
Quantity	15	13	9	7	0	0

Dimension drawing



* * Mass durch Formkonstabilität nach unten verringert
 * * Freemas - Toleranz nach GTA 13/5 - DIN 1688
 * * Dimensions reduced in the lower part by mould incline
 * * General tolerances according to GTA 13/5 - DIN 1688

Technical Data

Enclosure

Material: Aluminium
Powder coated

RoHs: Conform

Colour: Silver grey,
RAL 7001

Dim. (LxWxH): **160x160x91 mm**

Weight: 1410 g (empty)

Protection: Max. IP 66

Gasket: Temperature
resistant silicone

Lid screws: Stainless steel

External earth: Stainless steel

Storage
temperature: -50°C up to +80°C

Junction Box

Type: **A21-E2-01609**

Type of protection: II 2G Ex e IIC T4/T6 Gb
II 2(1)G Ex e[ia] IIC T6 Gb
II 2D Ex tb IIC T80°C

Certificate: TPS 07 ATEX 61951 1

Standard operation
temperature: -20°C bis +40°C

Maximum operation
temperature: -50°C bis +60°C

Depending on the used components and
power loss.

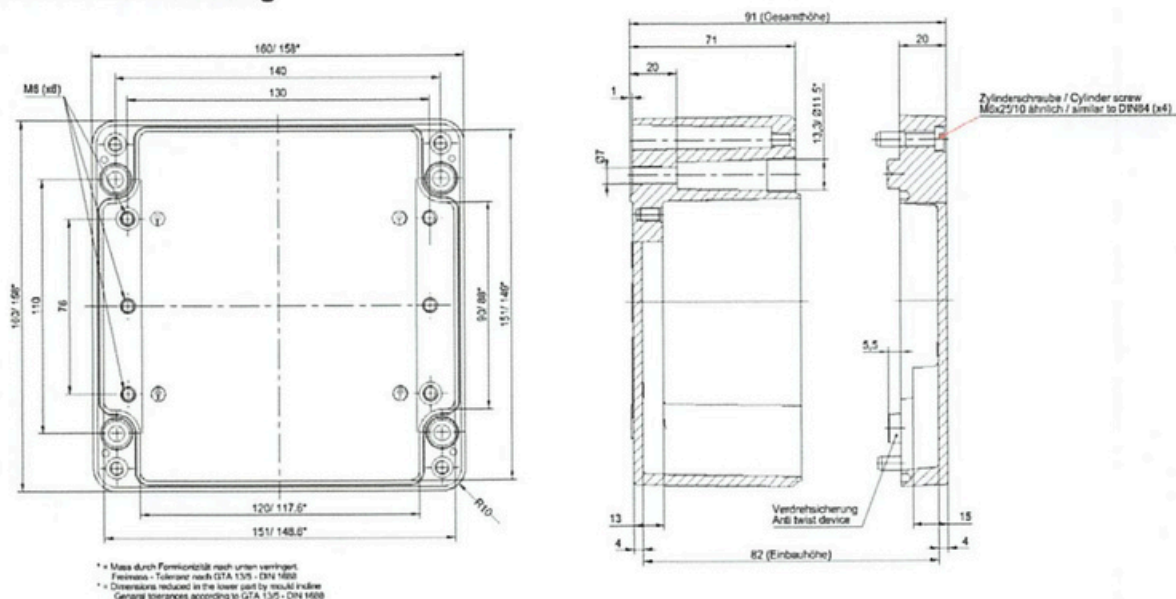
Maximum number of threaded holes

	M16x1,5	M20x1,5	M25x1,5	M32x1,5	M40x1,5	M50x1,5	M63x1,5
face A/B	9	6	4	2	2	1	0
face C/D	4	3	2	2	0	0	0

Maximum number of terminals

Cross section	2,5 mm ²	4 mm ²	6 mm ²	10 mm ²	16 mm ²	35 mm ²
Quantity	22	18	13	11	0	0

Dimension drawing



Technical Data

Enclosure

Material: Aluminium
Powder coated

RoHs: Conform

Colour: Silver grey,
RAL 7001

Dim. (LxWxH): **260x160x91 mm**

Weight: 1960 g (empty)

Protection: Max. IP 66

Gasket: Temperature
resistant silicone

Lid screws: Stainless steel

External earth: Stainless steel

Storage
temperature: -50°C up to +80°C

Junction Box

Type: **A21-E2-02609**

Type of protection: II 2G Ex e IIC T4/T6 Gb
II 2(1)G Ex e[ia] IIC T6 Gb
II 2D Ex tb IIIC T80°C

Certificate: TPS 07 ATEX 61951 1

Standard operation
temperature: -20°C bis +40°C

Maximum operation
temperature: -50°C bis +60°C

Depending on the used components and
power loss.

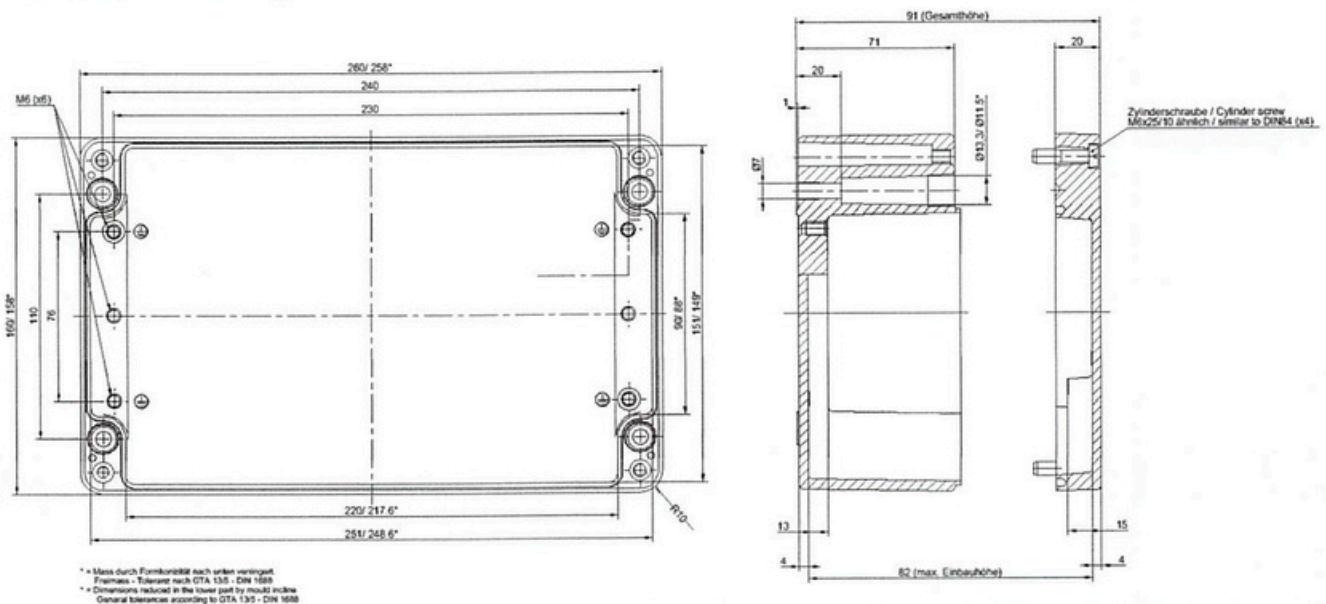
Maximum number of threaded holes

	M16x1,5	M20x1,5	M25x1,5	M32x1,5	M40x1,5	M50x1,5	M63x1,5
face A/B	17	12	7	4	3	3	0
face C/D	4	3	2	2	0	0	0

Maximum number of terminals

Cross section	2,5 mm ²	4 mm ²	6 mm ²	10 mm ²	16 mm ²	35 mm ²
Quantity	42	35	26	21	10	0

Dimension drawing



Technical Data

Enclosure

Material: Aluminium
Powder coated

RoHs: Conform

Colour: Silver grey,
RAL 7001

Dim. (LxWxH): **360x160x91 mm**

Weight: 2550 g (empty)

Protection: Max. IP 66

Gasket: Temperature
resistant silicone

Lid screws: Stainless steel

External earth: Stainless steel

Storage
temperature: -50°C up to +80°C

Junction Box

Type: **A21-E2-03609**

Type of protection: II 2G Ex e IIC T4/T6 Gb
II 2(1)G Ex e[ia] IIC T6 Gb
II 2D Ex tb IIIC T80°C

Certificate: TPS 07 ATEX 61951 1

Standard operation
temperature: -20°C bis +40°C

Maximum operation
temperature: -50°C bis +60°C

Depending on the used components and
power loss.

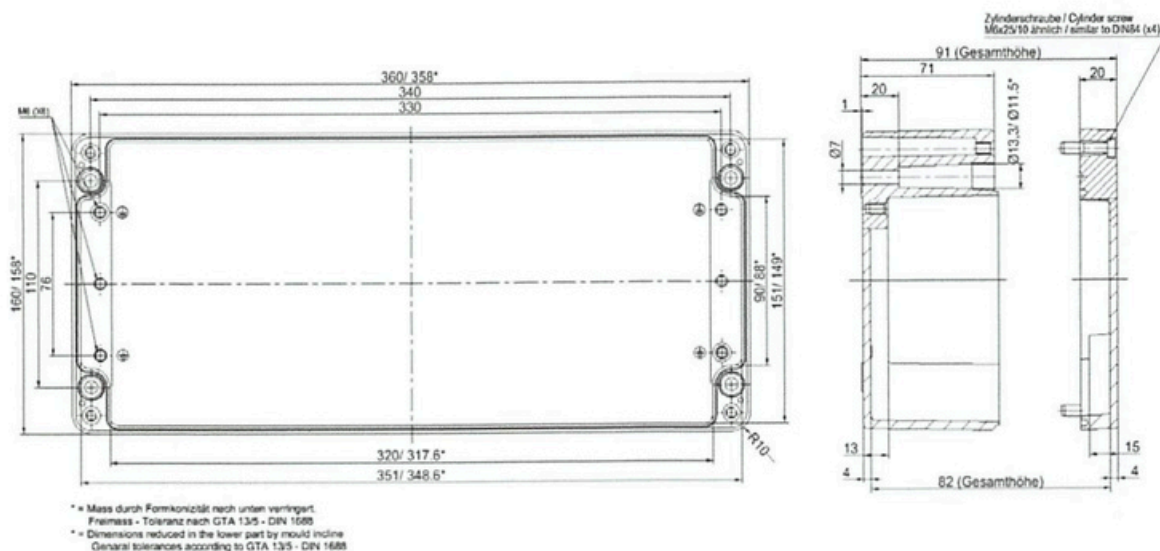
Maximum number of threaded holes

	M16x1,5	M20x1,5	M25x1,5	M32x1,5	M40x1,5	M50x1,5	M63x1,5
face A/B	26	18	11	6	5	4	0
face C/D	4	3	2	2	0	0	0

Maximum number of terminals

Cross section	2,5 mm ²	4 mm ²	6 mm ²	10 mm ²	16 mm ²	35 mm ²
Quantity	62	51	38	31	10	0

Dimension drawing



Technical Data

Enclosure

Material: Aluminium
Powder coated

RoHs: Conform

Colour: Silver grey,
RAL 7001

Dim. (LxWxH): **201x232x111 mm**

Weight: 2730 g (empty)

Protection: Max. IP 66

Gasket: Temperature
resistant silicone

Lid screws: Stainless steel

External earth: Stainless steel

Storage
temperature: -50°C up to +80°C

Junction Box

Type: **A21-E2-02011**

Type of protection: II 2G Ex e IIC T4/T6 Gb
II 2(1)G Ex e[ia] IIC T6 Gb
II 2D Ex tb IIIC T80°C

Certificate: TPS 07 ATEX 61951 1

Standard operation
temperature: -20°C bis +40°C

Maximum operation
temperature: -50°C bis +60°C

Depending on the used components and
power loss.

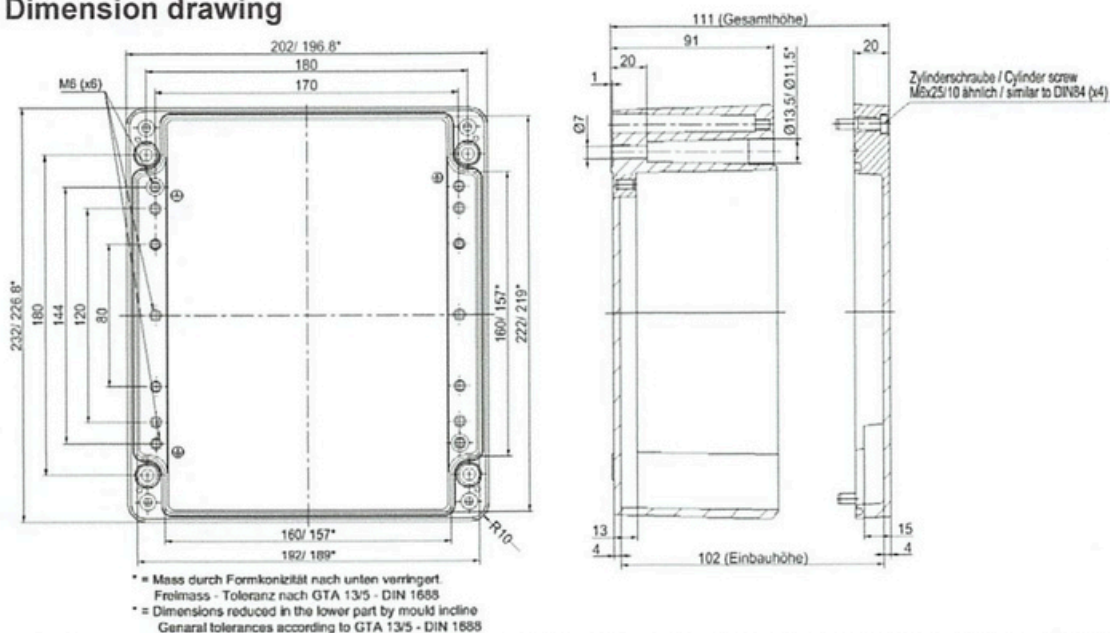
Maximum number of threaded holes

	M16x1,5	M20x1,5	M25x1,5	M32x1,5	M40x1,5	M50x1,5	M63x1,5
face A/B	15	12	8	4	3	2	0
face C/D	12	8	5	3	2	2	1

Maximum number of terminals

Cross section	2,5 mm ²	4 mm ²	6 mm ²	10 mm ²	16 mm ²	35 mm ²
Quantity	60	50	18	15	12	9

Dimension drawing



Technical Data

Enclosure

Material: Aluminium
Powder coated

RoHs: Conform

Colour: Silver grey,
RAL 7001

Dim. (LxWxH): **280x230x111 mm**

Weight: 3840 g (empty)

Protection: Max. IP 66

Gasket: Temperature
resistant silicone

Lid screws: Stainless steel

External earth: Stainless steel

Storage
temperature: -50°C up to +80°C

Junction Box

Type: **A21-E2-02811**

Type of protection: II 2G Ex e IIC T4/T6 Gb
II 2(1)G Ex e[ia] IIC T6 Gb
II 2D Ex tb IIIC T80°C

Certificate: TPS 07 ATEX 61951 1

Standard operation
temperature: -20°C bis +40°C

Maximum operation
temperature: -50°C bis +60°C

Depending on the used components and
power loss.

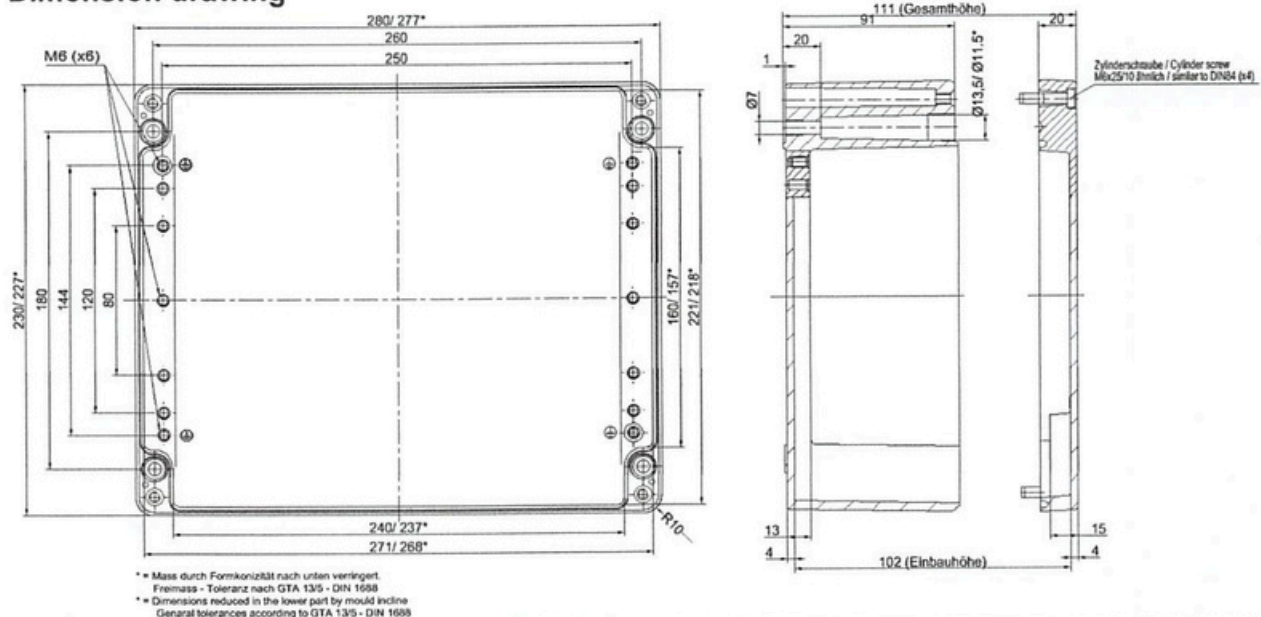
Maximum number of threaded holes

	M16x1,5	M20x1,5	M25x1,5	M32x1,5	M40x1,5	M50x1,5	M63x1,5
face A/B	25	18	11	7	4	3	3
face C/D	12	8	5	3	2	2	1

Maximum number of terminals

Cross section	2,5 mm ²	4 mm ²	6 mm ²	10 mm ²	16 mm ²	35 mm ²
Quantity	92	76	28	23	19	14

Dimension drawing



Technical Data

Enclosure

Material: Aluminium
Powder coated

RoHs: Conform

Colour: Silver grey,
RAL 7001

Dim. (LxWxH): **400x230x111 mm**

Weight: 4870 g (empty)

Protection: Max. IP 66

Gasket: Temperature
resistant silicone

Lid screws: Stainless steel

External earth: Stainless steel

Storage
temperature: -50°C up to +80°C

Junction Box

Type: **A21-E2-04011**

Type of protection: II 2G Ex e IIC T4/T6 Gb
II 2(1)G Ex e[ia] IIC T6 Gb
II 2D Ex tb IIIC T80°C

Certificate: TPS 07 ATEX 61951 1

Standard operation
temperature: -20°C bis +40°C

Maximum operation
temperature: -50°C bis +60°C

Depending on the used components and
power loss.

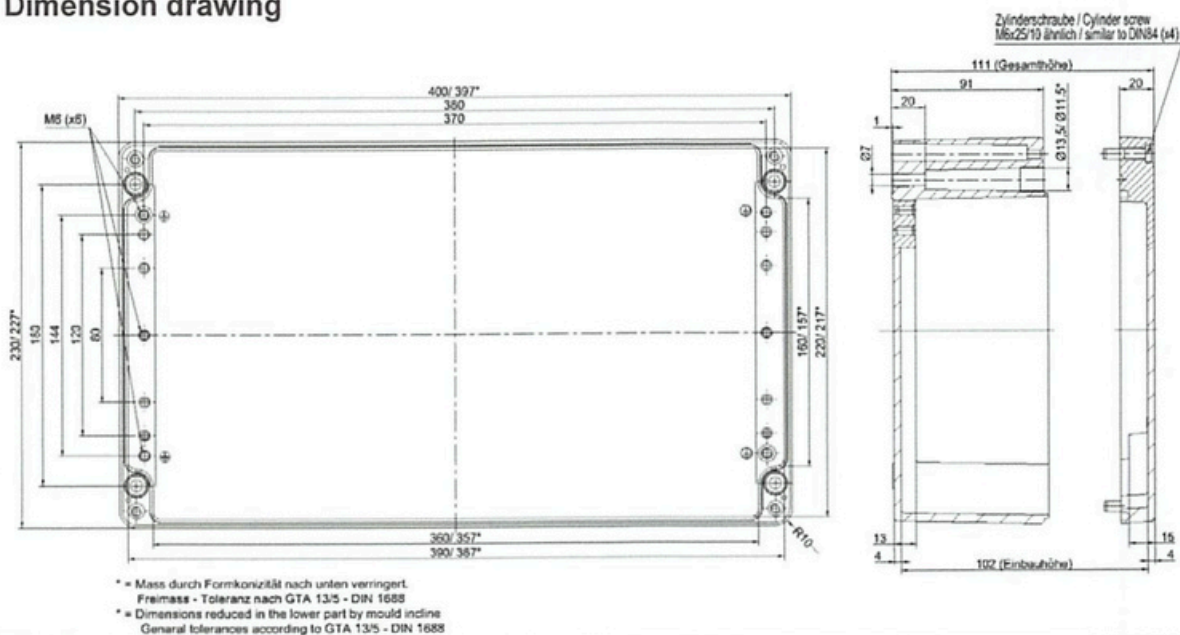
Maximum number of threaded holes

	M16x1,5	M20x1,5	M25x1,5	M32x1,5	M40x1,5	M50x1,5	M63x1,5
face A/B	38	27	17	11	6	5	4
face C/D	12	8	5	3	2	2	1

Maximum number of terminals

Cross section	2,5 mm ²	4 mm ²	6 mm ²	10 mm ²	16 mm ²	35 mm ²
Quantity	140	116	43	35	29	21

Dimension drawing



Technical Data

Enclosure

Material: Aluminium
Powder coated

RoHs: Conform

Colour: Silver grey,
RAL 7001

Dim. (LxWxH): **600x230x111 mm**

Weight: 6380 g (empty)

Protection: Max. IP 66

Gasket: Temperature
resistant silicone

Lid screws: Stainless steel

External earth: Stainless steel

Storage
temperature: -50°C up to +80°C

Junction Box

Type: **A21-E2-06011**

Type of protection: II 2G Ex e IIC T4/T6 Gb
II 2(1)G Ex e[ia] IIC T6 Gb
II 2D Ex tb IIIC T80°C

Certificate: TPS 07 ATEX 61951 1

Standard operation
temperature: -20°C bis +40°C

Maximum operation
temperature: -50°C bis +60°C

Depending on the used components and
power loss.

Maximum number of threaded holes

	M16x1,5	M20x1,5	M25x1,5	M32x1,5	M40x1,5	M50x1,5	M63x1,5
face A/B	56	42	24	16	8	8	6
face C/D	12	8	5	3	2	2	1

Maximum number of terminals

Cross section	2,5 mm ²	4 mm ²	6 mm ²	10 mm ²	16 mm ²	35 mm ²
Quantity	220	183	91	55	45	34

Dimension drawing

