

TECHNICAL DATASHEET



iSCAN 101 & 111



Handheld cabled barcode scanner for Zone 1 and 21 hazardous areas

Variants to read all standard 1D, 2D, and stacked PDF barcodes

ATEX and IECEx Zone 1, 2, 21, and 22 certified

RS232/RS422 or USB interface options

IP65 fully rugged

Lightweight and easy to handle with ergonomic grip

Visual, audio, and vibration feedback for user

High speed scanning, up to 500 scans per second

Wider scan line and long reading distance for easy use

Works effectively in bright sunlight, up to 100,000 lux

Variety of accessories available

www.extronics.com | info@extronics.com | +44 (0) 845 277 5000

411675(4)

Disclaimer: Copyright (c) Extronics Ltd. The information contained in this document is subject to change without notice. Extronics cannot be held responsible for any errors or inaccuracies within this document.

Extronics Released

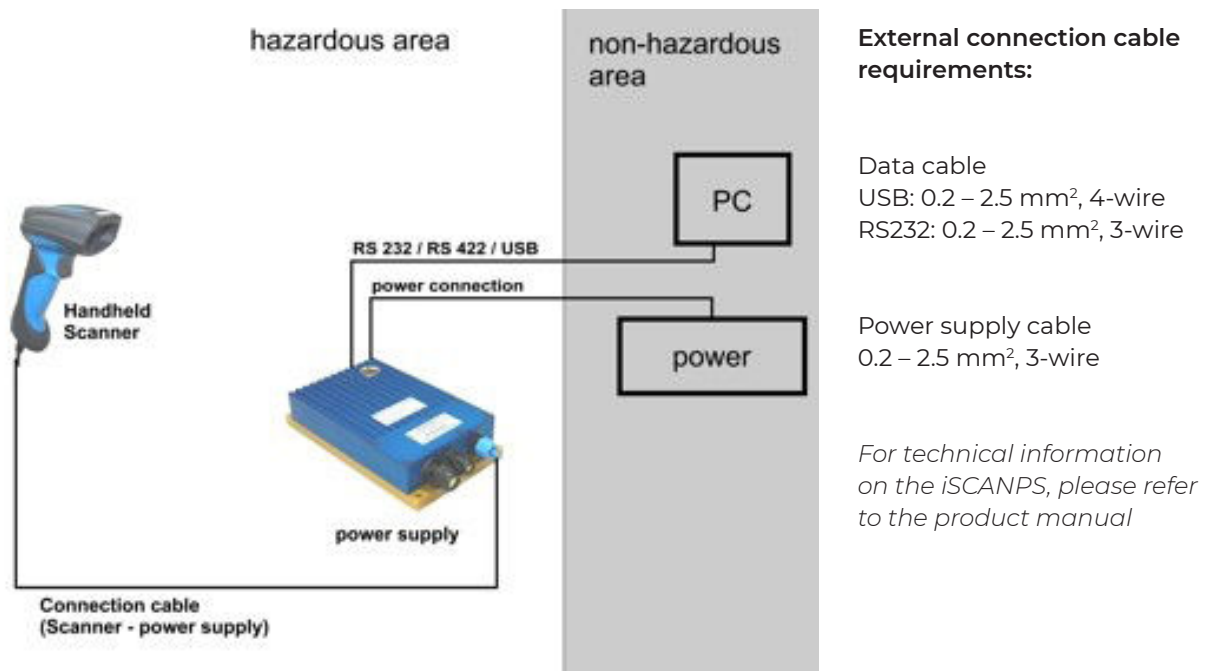
CODE TYPES



<p>iSCAN101 Reads standard 1D barcodes</p>	<p>Codabar, Code 39, Code 32, UPC-A, UPC-E, Standard and Industrial 2 of 5, Interleaved & Matrix 2 of 5, Code 128, UCC/EAN-128, Code 11, Code 93, German ITF Postal Code, Mainland China Postal Code, Telepen, MSI/Plessey, UK/Plessey, Limited/Expanded GSI DataBar</p>
<p>iSCAN101PDF Reads standard 1D and stacked PDF barcodes</p>	<p>1D barcode types: Codabar, Code 39, Code 32, UPC-A, UPC-E, Standard and Industrial 2 of 5, Interleaved & Matrix 2 of 5, Code 128, UCC/EAN-128, Code 11, Code 93, German ITF Postal Code, Mainland China Postal Code, Telepen, MSI/Plessey, UK/Plessey, Limited/Expanded GSI DataBar</p> <p>Stacked PDF barcode types: Composite, PDF147, MicroPDF417, Codablock F</p>
<p>iSCAN1112D Reads standard 1D, stacked PDF and 2D barcodes</p>	<p>1D barcode types: Code 39, Code 39 Trioptic, Code 32, Code 93, Code 11, Codabar, Code 128, GSI-128 / EAN 128, UPC / EAN / JAN (with addition), MSI/Plessey, UK/Plessey, IATA, Interleaved 2 of 5, Standard and Industrial 2 of 5, Matrix 2 of 5, Telepen, GSI DataBar, Australian Post, China Post, German Post, US Planet, US Postnet, British Post, Intelligent Mail, Japan Post, Korean Post, Dutch KIX Post</p> <p>Stacked PDF barcode types: PDF417, MicroPDF417, Code 49, Code 16K, Composite, Codablock F</p> <p>2D barcode types: Data Matrix, QR Code, MicroQR-Code, Aztec, MaxiCode</p>

SYSTEM ASSEMBLY

The iSCAN101 and iSCAN1112D were designed for use in ATEX and IECEx Zone 1 and 21 hazardous areas. Normal operation requires a power supply (iSCANPSx), a connection cable between the power supply and the scanner handset (iSCAN1XXCABx), and connections between the power supply and a PC (not supplied by Extronics).



SPECIFICATION



Certification	iSCAN101 and iSCAN101PDF: II 2G Ex ib IIC T4 Gb II 2D Ex ib III C T135°C Db iSCAN112D: II 2G Ex ib op is IIB T4 Gb II 2D Ex ib op is III C T135°C Db
Dimensions	H185 x L104 x W76 mm
Weight	200g (handset without cable)
Ingress protection	IP65
Ambient operating temperature	-20°C to +50°C
Storage temperature	-30°C to +70°C
Humidity	± 95 %, non condensing
Ambient light resistance	100,000 lux
Scanning frequency	iSCAN101 and iSCAN101PDF: 500 Hz iSCAN112D: 60 Hz
Light source	Visible red light 630 nm
Reading distance	iSCAN101 and iSCAN101PDF: 20 to 850 mm iSCAN112D: 30 to 400 mm
User feedback signals	2 LEDs (operation status and read feedback) Audio beeper Vibration
Interface	RS232/RS422 or USB
Cable length	1.8 m or 3.8 m depending on cable chosen Extension cables also available
Operating voltage	iSCAN101 and iSCAN101PDF: 4.9V, supplied via iSCANPS1-4 iSCAN112D: 5.3V, supplied via iSCANPS5-8
Required accessories	+ compatible cable to connect handset to power supply (iSCAN1XXCABx) + compatible power supply (iSCANPSCABx) <i>for details of options, please see Ordering Information</i>



ORDERING INFORMATION



Handsets

ISCAN101

iSCAN101 handheld cabled scanner, handset only, reads 1D barcodes, RS232/RS422 and USB options, Zone 1/21 certified

ISCAN101PDF

iSCAN101 handheld cabled scanner, handset only, reads 1D and stacked PDF barcodes, RS232/RS422 and USB options, Zone 1/21 certified

ISCAN1112D

iSCAN111 handheld cabled scanner, handset only, reads 1D, stacked PDF, and 2D barcodes, RS232/RS422 and USB options, Zone 1/21 certified

Cable to connect handset to power supply

ISCAN1XXCAB1

Scanner cable, RS232, 1.8 m, Zone 1/21

ISCAN1XXCAB2

Scanner cable, RS232, spiral, 3.8 m, Zone 1/21

ISCAN1XXCAB3

Scanner cable, USB 1.8 m, Zone 1/21

ISCAN1XXCAB4

Scanner cable, USB, spiral, 3.8 m, Zone 1/21

Power supply for iSCAN101 and iSCAN101PDF

ISCANPS1

Power supply module, DC 24V, RS232, Zone 1/21

ISCANPS2

Power supply module, DC 24V, USB, Zone 1/21

ISCANPS3

Power supply module, AC 230V, RS232, Zone 1/21

ISCANPS4

Power supply module, AC 230V, USB, Zone 1/21

Power supply for iSCAN1112D

ISCANPS5

Power supply module, DC 24V, RS232, Zone 1/21

ISCANPS6

Power supply module, DC 24V, USB, Zone 1/21

ISCANPS7

Power supply module, AC 230V, RS232, Zone 1/21

ISCANPS8

Power supply module, AC 230V, USB, Zone 1/21

OPTIONAL ACCESSORIES:

Stands

ISCANSTRI

Tripod stand for all iSCAN1xx and iSCAN2xx variants

ISCANSTAB

Tabletop stand for all iSCAN1xx and iSCAN2xx variants

Extension cables (RS232 only)

ISCANCC1

Extension cable with male connector, 6 m, Zone 1

ISCANCC2

Extension cable with male connector, spiral, 4.5 m, Zone 1

Please note that these extension cables may only be used with iSCAN1XXCAB1 or iSCAN1XXCAB2 options (RS232).